

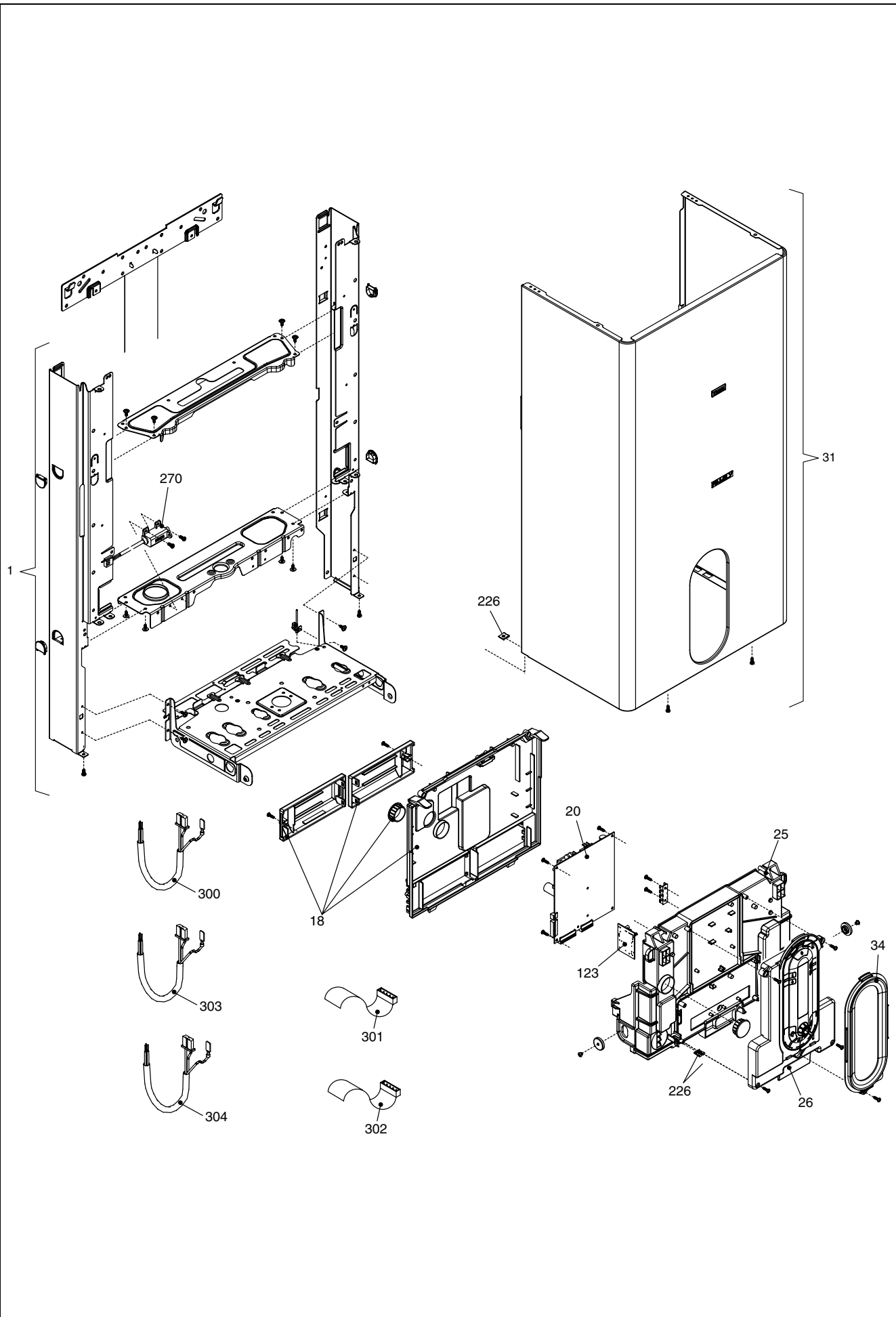


Wall hung boilers

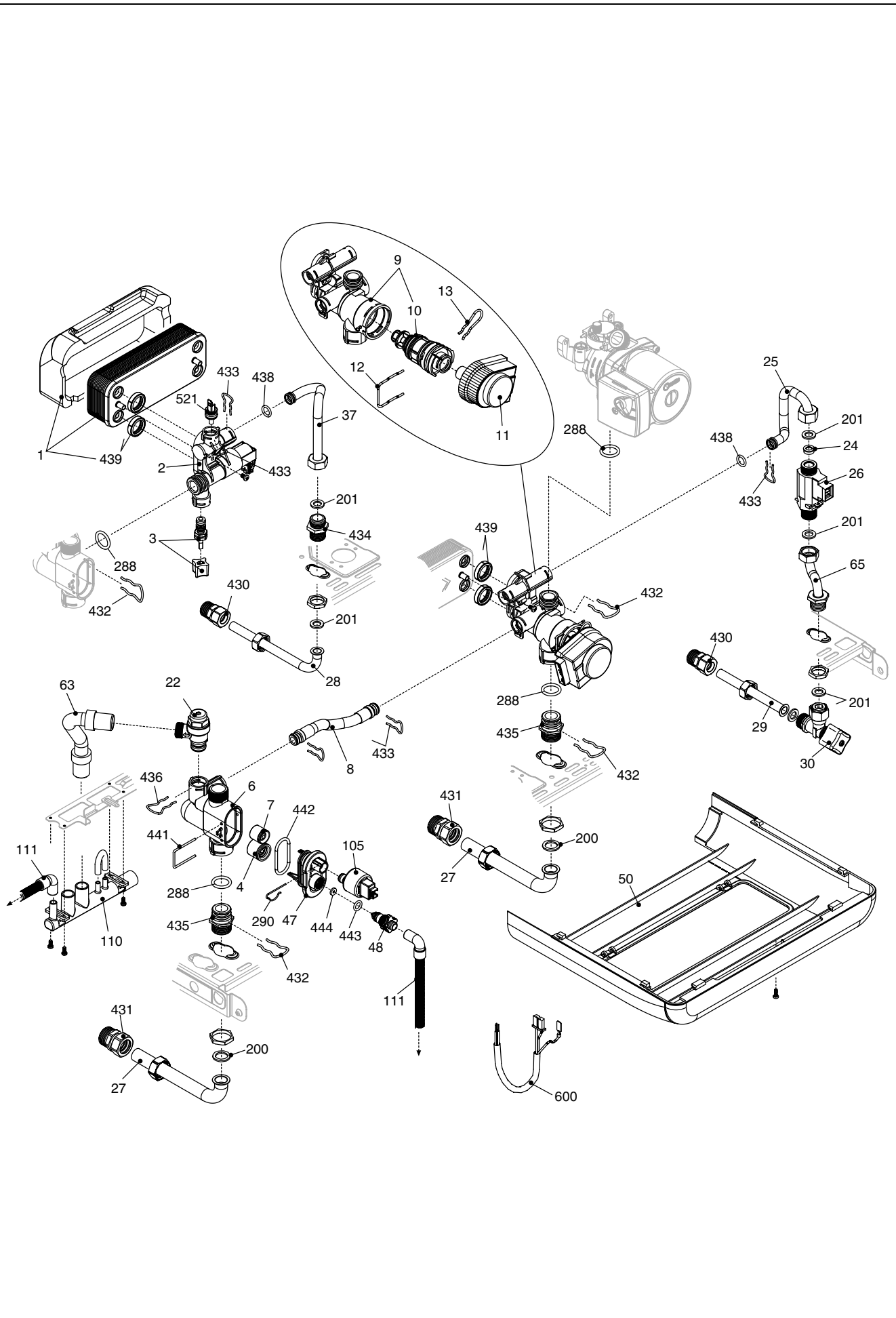
Family AR KIS



MODEL	PART NUMBER	
	MTN	GPL
Family AR 25 Kis	2970213 (B6W)	2970215 (B7W)
Family AR 29 Kis	2970223 (B8W)	2970225 (B9W)
Family AR 35 kis	2970233 (B1X)	2970235 (B2X)



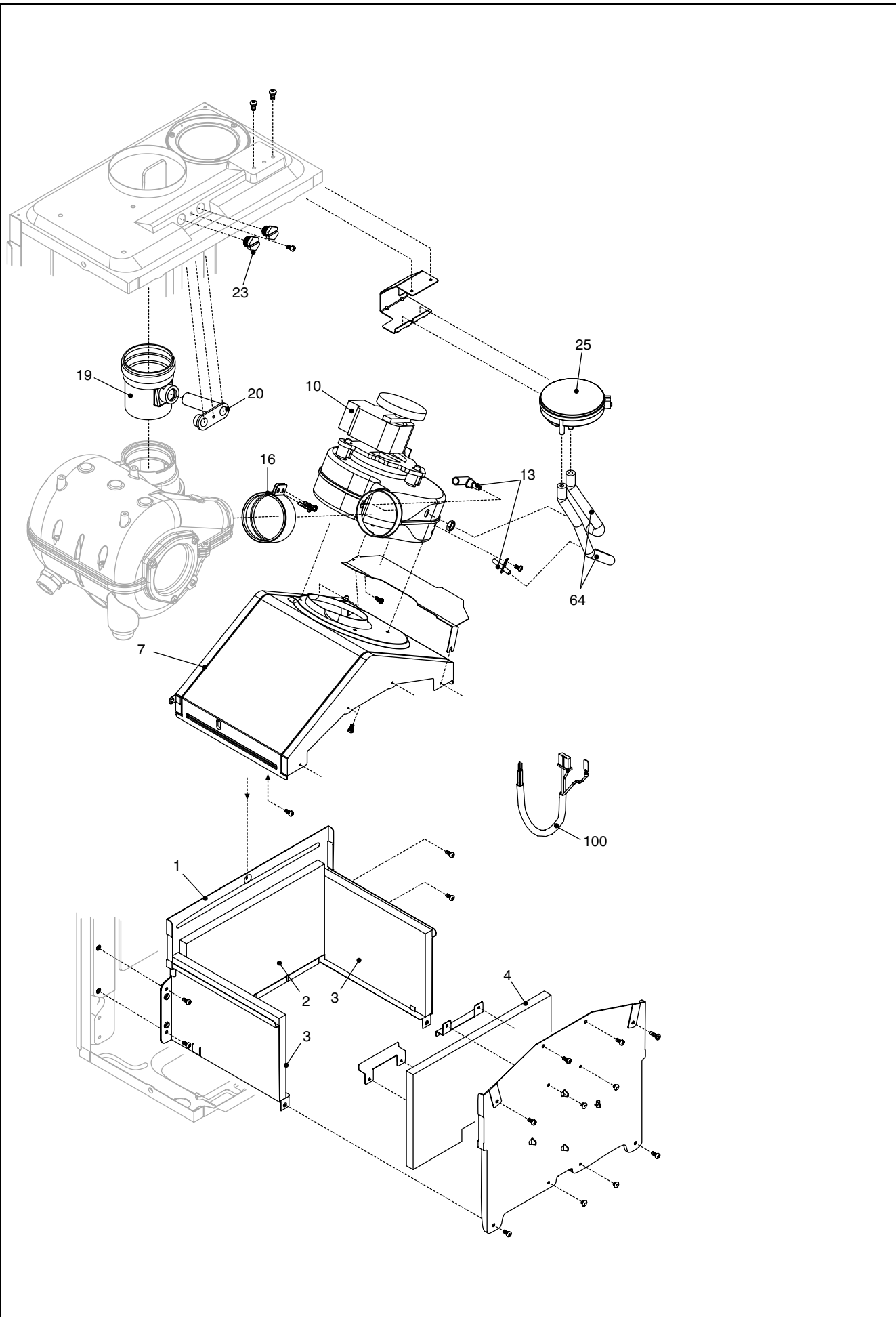
POS.	DESCRIPTION	25	29	35
1	Frame assembly	R01005415	R01005416	R01005417
18	Cover	R10025843	R10025843	R10025843
20	Printed circuit board AB07B	R10029586	R10029586	R10029586
25	Cover	R10025842	R10025842	R10025842
26	Instrumental panel AF01B	R10027251	R10027251	R10027251
31	Case	R10027277	R10026454	R10028148
34	Fixing flange	R10027979	R10027979	R10027979
123	Printed circuit board	R10027986	R10027986	R10027986
226	Clip	R5128	R5128	R5128
270	Ignition transformer TR2	R10021272	R10021272	R10021272
300	Electric connection band 8 ITRF06	R10026429	R10026429	R10026429
301	Electric connection band	R10026430	R10026430	R10026430
302	Current supply wiring harness	R10025869	R10025869	R10025869
303	Low tension cable	R10027982	R10027982	R10027982
304	Terminal blok low voltage Wiring harness	R10029959	R10029959	R10029959



POS.	DESCRIPTION	25	29	35
1	Exchanger	R8037	R1957	R10024627
2	Union	R10026858	R10026858	R10026858
3	Filling cock	R10025060	R10025060	R10025060
4	Non return valve	R10025056	R10025056	R10025056
6	By-pass casing	R10024642	R10024642	R10024642
7	Heating by-pass valve	R2047	R2047	R1552
8	Pipe	R10026193	R10026193	R10026193
9	Heating manifold	R10026506	R10026506	R10026506
10	3 way valve cartridge	R10025305	R10025305	R10025305
11	Actuator	R10025304	R10025304	R10025304
12	Clip	R10025450	R10025450	R10025450
13	Clip	R10025449	R10025449	R10025449
22	Safety valve	R10025055	R10025055	R10025055
24	Flow governor	R10026045	R10026041	R10026042
25	Pipe	R10026423	R10026423	R10026423
26	Dhw actuator	R10022348	R10022348	R10022348
27	Pipe	R10024961	R10024961	R10024961
28	Pipe	R10024962	R10024962	R10024962
29	Pipe	R10024963	R10024963	R10024963
30	Water supply stop cock	R1888	R1888	R1888
37	Pipe	R10026424	R10026424	R10026424
47	Cover for by-pass assembly	R10024643	R10024643	R10024643
48	Cock	R10024646	R10024646	R10024646
50	Cover	R10026434	R10026384	R10028225
63	Pipe	R10026545	R10026545	R10026545
65	Pipe	R10026422	R10026422	R10026422
105	Pressure transductor	R10028142	R10028142	R10028142
110	Condensing collector	R10026555	R10026555	R10026555
111	Flexible pipe	R10026805	R10026805	R10026805
200	Washer	R5023	R5023	R5023
201	Washer	R5026	R5026	R5026
288	Ring	R6898	R6898	R6898
290	Clip	R2165	R2165	R2165
430	Connection	R10025089	R10025089	R10025089
431	Connection	R10025090	R10025090	R10025090
432	Clip	R10024958	R10024958	R10024958
433	Clip	R10024986	R10024986	R10024986
434	Nipple	R10024985	R10024985	R10024985
435	Fitting/union	R10025059	R10025059	R10025059
436	Clip	R10025062	R10025062	R10025062
438	O ring	R10024988	R10024988	R10024988
439	Washer	R10025067	R10025067	R10025067
441	Clip	R10025063	R10025063	R10025063
442	O ring	R10025065	R10025065	R10025065
443	O ring	R10025064	R10025064	R10025064
444	Washer	R10025066	R10025066	R10025066
521	NTC sensor	R10027351	R10027351	R10027351
600	Control cable	R10026426	R10026426	R10026426

POS.	DESCRIPTION	25	29	35
1	Expansion vessel	R2204	R2573	R2573
2	Pipe	R10025188	R10025188	R10025188
3	Pump	R10027572	R10027572	R10027259
6	Pipe	R10027975	R10027990	R10028155
7	Pipe	R10024312	R10024130	R10024519
8	Exchanger	R2381	R2378	R10020513
9	Pipe	R10021041	R10021041	R10020519
10	Pipe	R10027976	10027991	R10028160
25	Siphon	R10027546	R10027546	R10027546
27	Pipe	R10027977	R10027977	R10027977
43	Condensing unit assembly	R01005495	R01005495	R01005414
45	Retarder	-	-	R10024136
47	Condensing level detector	R10025212	R10025212	R10025212
48	Pipe	R10024311	R10024129	R10024518
49	Pipe	R10024313	R10024131	R10024520
66	Condensing pipe	R10027978	R10027978	R10028161
69	Pressure gauge	R10027135	R10027135	R10027135
200	Washer	R5023	R5023	R5023
201	Washer	R5026	R5026	R5026
202	Washer	R5041	R5041	R5041
287	High limit thermostat	R2258	R2258	R2258
288	Ring	R6898	R6898	R6898
290	Clip	R2165	R2165	R2165
343	Plug	R2216	R2216	R2216
370	O ring	R10023533	R10023533	R10023533
371	Clip	R10023532	R10023532	R10023532
393	O ring	R10024141	R10024141	R10024141
394	O ring	R10024142	R10024142	R10024142
395	O ring	R10024143	R10024143	R10024143
396	Connections kit	R01005292	R01005292	R01005292
520	NTC sensor	R10027352	R10027352	R10027352
532	Washer	R10027540	R10027540	R10027540
600	Sensor cable anti spilling	R10024121	R10024121	R10024121

POS.	DESCRIPTION	25	29	35
1	Air box bottom	R10024449	R10024385	R10024516
2	Roomsealed chamber side	R10024166	R10024166	R2059
4	N.G. burner	R10027536	R10027564	R10028013
5	Spark / ignition electrode	R10025985	R10025985	R10025985
9	Plate	R5172	R5172	-
12	Pipe	R10027972	R10027972	R10028147
13	Gas valve	R10021021	R10021021	R10021021
14	Gas valve solenoid	R10020838	R10020838	R10020838
15	3/4" gas cock	R2266	R2266	R2266
16	Cover assembly	R10020216	R10020217	R10020430
17	Washer	R5072	R5072	R5072
18	Pilot sight glass	R3139	R3139	R3139
19	Ring	R4007	R4007	R4007
21	Washer	R5905	R5905	R5905
30	Roomsealed chamber side	-	-	R2060
200	Washer	R5023	R5023	R5023
492	Thermostat	R10026721	R10026721	R10026721
500	Gas valve cable	R10025872	R10025872	R10025872
600	Ng conversion kit	R01005225	R01005225	R01005225
601	LPG conversion kit	R01005407	R01005407	R01005217



POS.	DESCRIPTION	25	29	35
1	Combustion chamber assembly	R6027	R6028	R10020514
2	Back insulatin panel	R5270	R5316	R10020518
3	Protection	R5271	R5271	R5271
4	Combustion chamber insulation panel	R5269	R5315	R10020517
7	Flue draught diverter	R10024310	R10024125	R10024473
10	Fan	R10024035	R10024035	R10024035
13	Venturi and pressure tube kit	R01005405	R01005405	R01005405
16	Clamp	R10024126	R10024126	R10024126
19	Pipe	R10024137	R10024137	R10024137
20	Block with combustion analysis check point	R10026933	R10026933	R10026933
23	Plug	R8086	R8086	R8086
25	Pressure differential switch	R2677	R2677	R2677
64	Tube kit	R01005421	R01005421	R01005421
100	Combustion cable	R10027981	R10027981	R10028104



Riello reserve the right to change the specifications without prior notice.
Consumers' statutory rights are not affected.